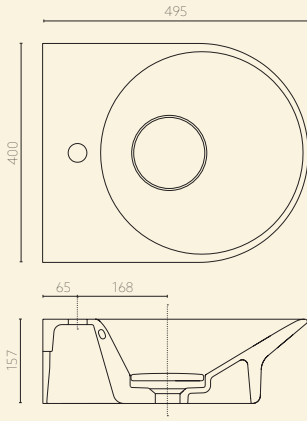
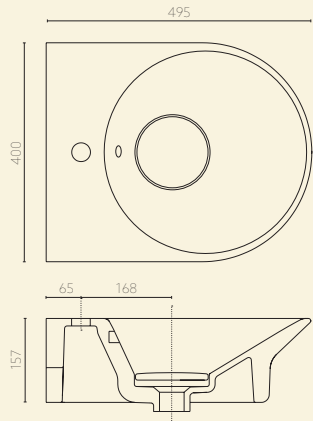
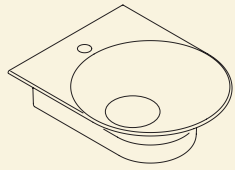
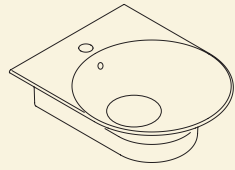



**TONO Elements: Washbasins**



**Ceramic Basin Wall Mounted 400**

- Features:
- Clicker waste with ceramic cover
  - Overflow CL10
  - Nk Protect/Compact Ceramic Technology
  - Chemical resistant
  - Easy-clean surface

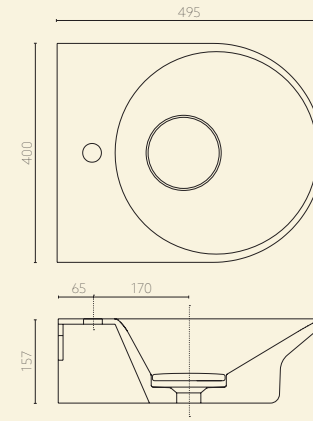
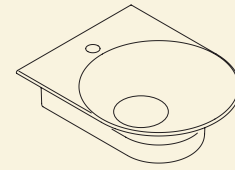
- Finishes:
-  Noken Ceramic®

**Krion Basin Wall Mounted 400**

- Features:
- Clicker waste with Krion® cover
  - Hidden Overflow CL10
  - Krion® Stone is Greenguard Gold Certified

- Finishes:
-  Krion® Stone




**TONO Elements: Washbasins**



**Stone Basin Wall Mounted 400**

- Features:
- Stone cover available with fixed waste
  - Hand finished matt surface
  - Stone Protection coating to resist stains and bacteria
  - Metal bracket
  - Without overflow

Note:  
Stone is a natural product which may be subject to variations in shade. The colour of the material supplied may differ slightly from that shown. Stone basins are supplied without an overflow system

- Finishes:
-  Habana Dark
  -  Capuccino Grey
  -  Calgary