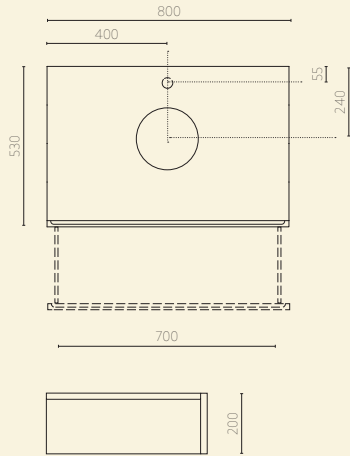
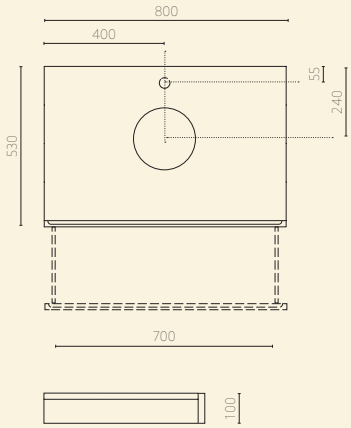
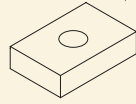
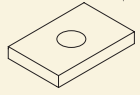




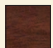
TONO Elements: Furniture



Wall Hung Drawer 800 × 100



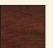
Features:
 Designed for Single Basin installation
 Made with solid timber from sustainably managed forests
 Wall brackets included
 Soft-close runners
 Compatible with TONO Countertop Basins
 Compatible with TONO Countertop Bottle Trap Set

Allows for seated dresser configurations

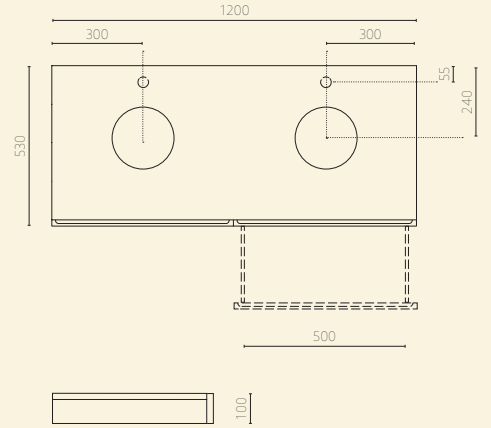
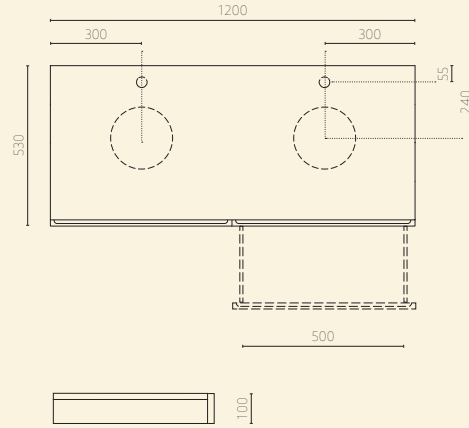
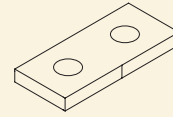
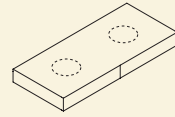
Finishes:
 Maple
 Oak
 Walnut

Wall Hung Drawer 800 × 200

Features:
 Designed for Single Basin installation
 Made with solid timber from sustainably managed forests
 Wall brackets included
 Soft-close runners
 Compatible with TONO Countertop Basins
 Compatible with TONO Countertop Bottle Trap Set

Finishes:
 Maple
 Oak
 Walnut


TONO Elements: Furniture



Wall Hung Drawer 1200 × 100 – Single Basin

Features:
 Designed for Single Basin installation
 Left and right versions available
 Made with solid timber from sustainably managed forests
 Wall brackets included
 Soft-close runners
 Compatible with TONO Countertop Basins
 Compatible with TONO Countertop Bottle Trap Set


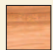
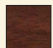
Allows for seated dresser configurations

Finishes:
 Maple
 Oak
 Walnut

Wall Hung Drawer 1200 × 100 – Double Basin

Features:
 Designed for Double Basin installation
 Made with solid timber from sustainably managed forests
 Wall brackets included
 Soft-close runners
 Compatible with TONO Countertop Basins
 Compatible with TONO Countertop Bottle Trap Set

Allows for seated dresser configurations

Finishes:
 Maple
 Oak
 Walnut