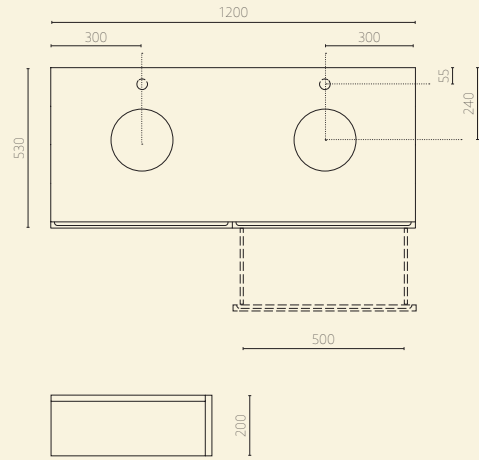
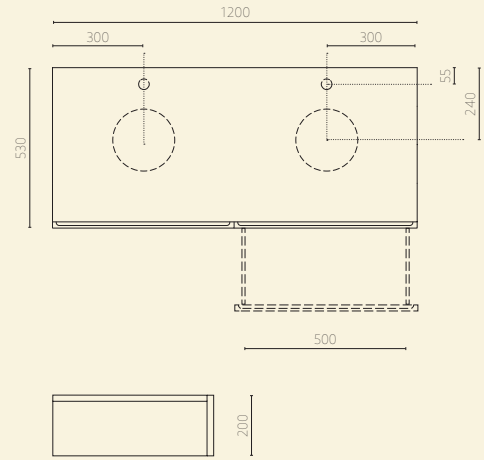
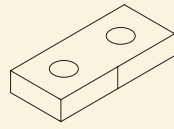
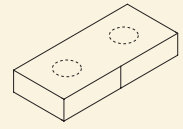


TONO Elements: Drawers



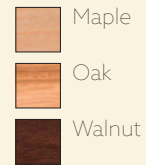
Wall Hung Drawer 1200 × 200 – Single Basin

- Features:
- Designed for Single Basin installation
 - Left and right versions available
 - Made with solid timber from sustainably managed forests
 - Wall brackets included
 - Soft-close runners
 - Compatible with TONO Countertop Basins
 - Compatible with TONO Countertop Bottle Trap Set

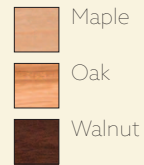
Wall Hung Drawer 1200 × 200 – Double Basin

- Features:
- Designed for Double Basin installation
 - Made with solid timber from sustainably managed forests
 - Wall brackets included
 - Soft-close runners
 - Compatible with TONO Countertop Basins
 - Compatible with TONO Countertop Bottle Trap Set

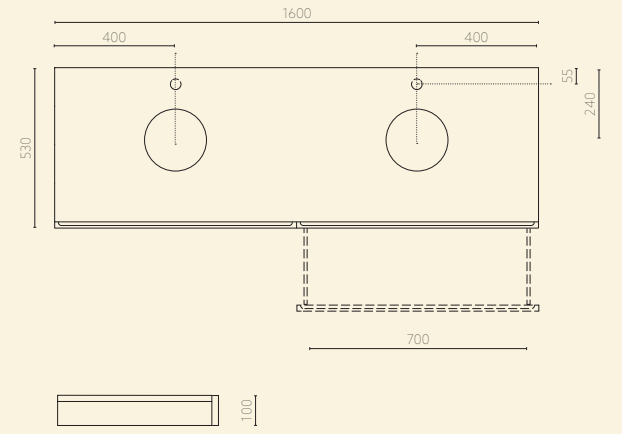
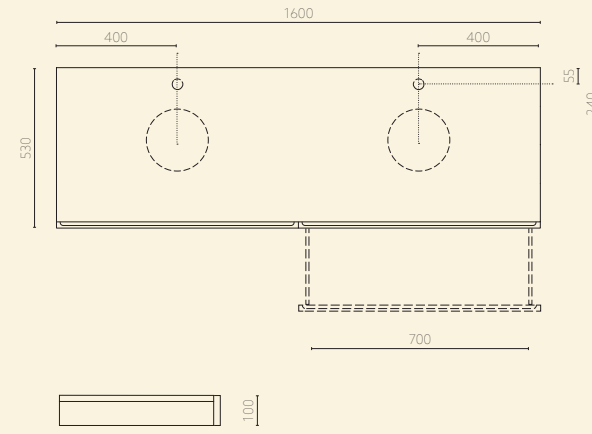
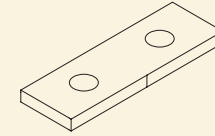
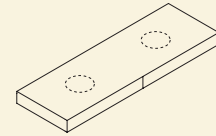
Finishes:



Finishes:



TONO Elements: Drawers



Wall Hung Drawer 1600 × 100 – Single Basin

- Features:
- Designed for Single Basin installation
 - Left and right versions available
 - Made with solid timber from sustainably managed forests
 - Wall brackets included
 - Soft-close runners
 - Compatible with TONO Countertop Basins
 - Compatible with TONO Countertop Bottle Trap Set

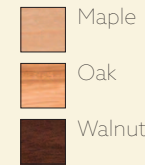
Allows for seated dresser configurations

Wall Hung Drawer 1600 × 100 – Double Basin

- Features:
- Designed for Double Basin installation
 - Made with solid timber from sustainably managed forests
 - Wall brackets included
 - Soft-close runners
 - Compatible with TONO Countertop Basins
 - Compatible with TONO Countertop Bottle Trap Set

Allows for seated dresser configurations

Finishes:



Finishes:

